

CombiFlex Mobile

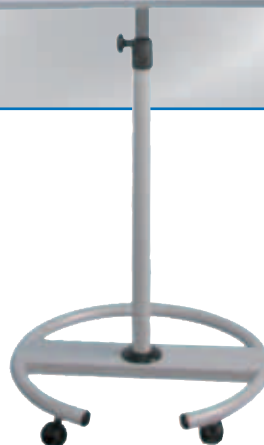
More stable and mobile than any tripod projection screen

As mobile as a tripod screen, yet much steadier and instantly ready to use.

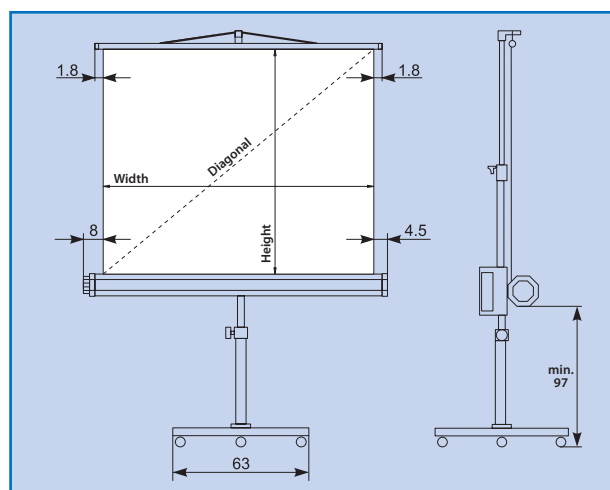
- Extremely steady thanks to circular steel tube floor stand
- Mobile thanks to 5 lockable rollers
- 360° revolvable projection screen
- Small footprint (Ø 63 cm)
- Use in different rooms made easy by mobile floor stand; perfect for schools or hotels
- Stable square steel stand
- Infinitely height-adjustable projection surface
- Tensioning button mechanism for optimal flatness of screen
- Fold-out mounting bracket for tilting the projection surface, approx. 10° (for Keystone correction)
- Octagon sheet steel casing
- Casing colour: white aluminium, RAL 9006

Screen surface

- Front projection, **Type D**
- Gain factor approx. 1.2 (DIN 19045)
- Matt white, foil basis
- Back: black, nearly opaque



Handle for height adjustment of projection surface



External dimensions approx. W/H in cm	Diagonal approx. cm/inch	Code No.
150/150	212/84	13380
180/180	255/100	13381
200/200	283/111	13382